



Sirocco Mini Clip-on Installation Instructions



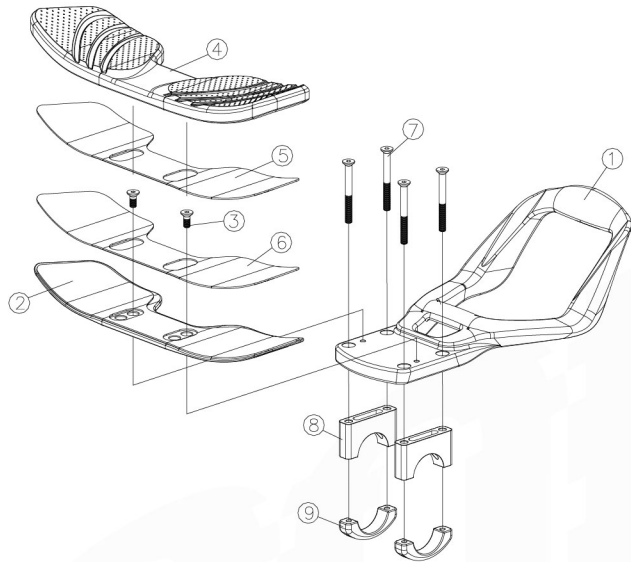
說明

感謝購買Controltech產品。請詳讀此安裝說明書並遵循正確使用方式，若沒有遵從說明書警告事項而導致產品損壞則不再保固範圍內。

保固

從購買日起Controltech提供兩年產品保固。消費者請保留產品保證書或相關的購買證明(如發票或收據)。產品在保固期內有需要維修服務時，煩請提出保證書或相關購買證明。

Controltech保固不包括錯誤或惡意之損壞，也不包含跳躍摔倒降落衝擊或其他的碰撞，以及忽視定期保養和錯誤零件組裝。另外，私自改裝、增加或替換產品上的零件，是不包含在保固內。自然的損壞也不包含在保固範圍內。

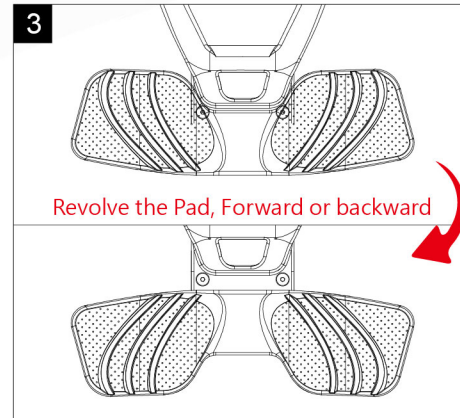
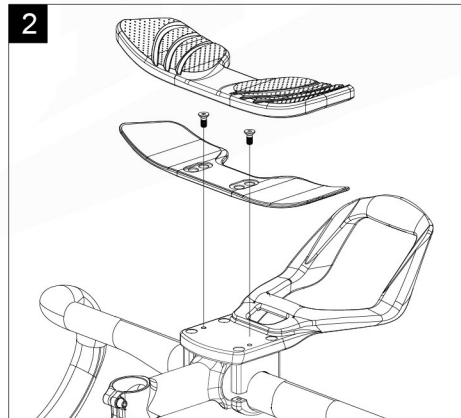
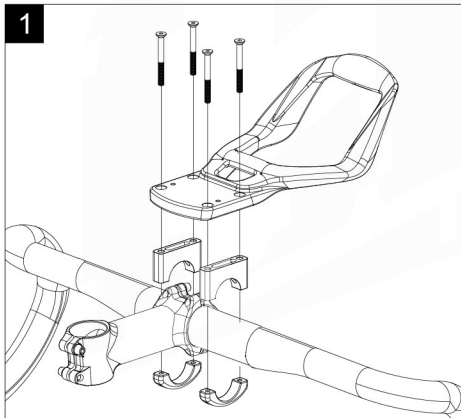


產品名稱 / 型號

Sirocco Mini Clip-on / TTH-19 (C Clamp)

零件名稱

- ① 手把主體x1。
- ② 手肘墊x1。
- ③ M5螺絲靠墊用(12mm)x2。
- ④ 手肘軟墊x1。
- ⑤ 魔鬼沾(母)x1。
- ⑥ 魔鬼沾(公)x1。
- ⑦ M5螺絲C夾用(50mm)x4。
- ⑧ C夾x2。
- ⑨ 下蓋x2。



安裝說明

1. 使用四顆⑦M5螺絲穿過⑧C夾，將①手把鎖固在車手上，調整好使用角度後將螺絲鎖緊(鎖固最大扭力值5Nm)。
2. 使用③M5螺絲將②手肘靠墊固定在①手把上。
3. 最後將④手肘軟墊黏上手肘靠墊即可。





Sirocco Mini Clip-on Installation Instructions

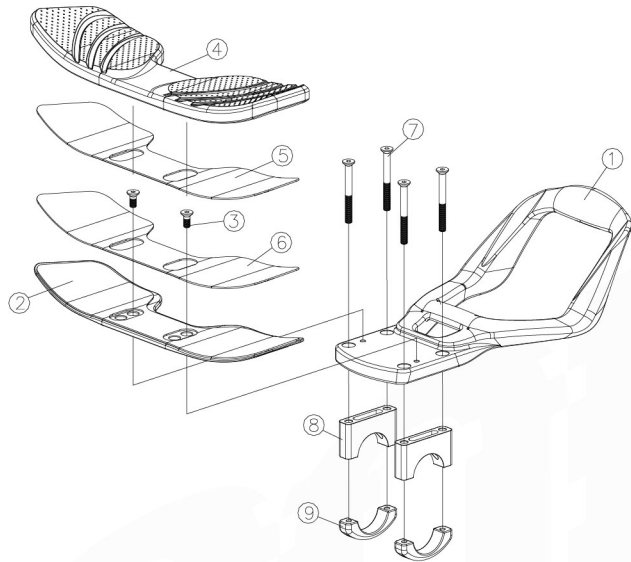


Thank you for choosing this Controltech. With proper care and installation, it will give you trouble-free, enjoyable use.

In order to maximize the safe enjoyment of this product, you should read and carefully follow the following installation instructions and warnings. Failure to do so could result in unexpected wear and/or failure, possibly resulting in injury.

Controltech warrants this product to be free from defects in materials and workmanship for a period of two years from the date of purchase when purchased from an authorized Controltech dealer. This warranty is extended only to the original owner of the product and is not transferable. Proof of purchase is required for any warranty service, so be sure to keep your receipt.

This warranty does not cover cosmetic or structural damage arising from misuse or abuse, including damage caused by crashes, jumping and landing, front end impact, falls or any other collision, owner neglect of regular maintenance, improper installation of parts and accessories. Controltech makes no warranty if modifications, changes, additions or substitutions are made to any components. Wear from normal use or exposure to environmental elements is not covered by this warranty. Controltech makes no warranty against any incidental or consequential damage to bike or parts, or rider injury caused by defects as covered in this warranty.

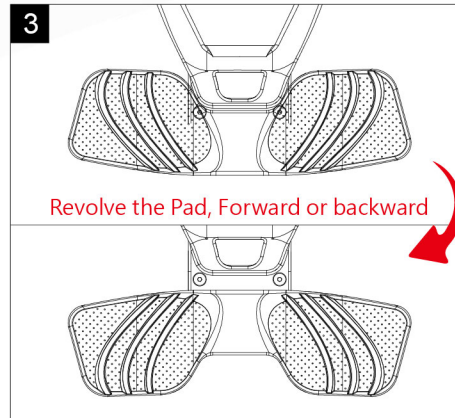
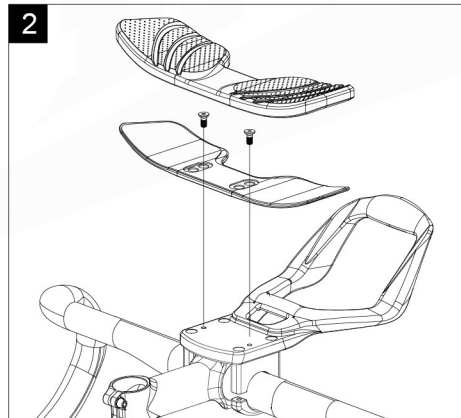
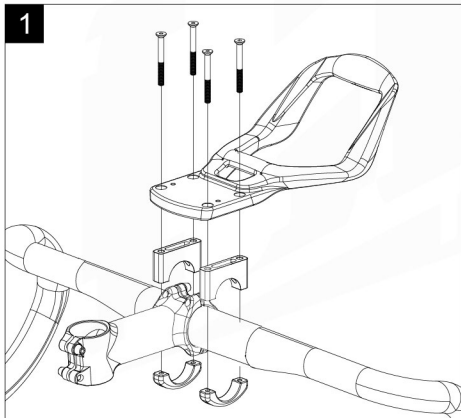


Model name / Model no.

Sirocco Mini Clip-on / TTH-19 (C Clamp)

Part

- ① Mini Clip on x1 ◦
- ② Elbow pad cradle x1 ◦
- ③ M5 bolt for pad cradle(12mm) x2 ◦
- ④ Elbow pad x1
- ⑤ Velcro(Soft) x1 ◦
- ⑥ Velcro(Prick) x1 ◦
- ⑦ M5 bolt for C clamp(50mm) x4 ◦
- ⑧ C clamp x2 ◦
- ⑨ Lower clamp x2 ◦



Installation

1. Assemble the C Clamp ⑧ with Mini clip-on ① by tightening 4 M5 bolts ⑦ (Max torque: 5Nm).
2. Assemble Elbow pad cradle ② on the Mini clip-on by tightening 2 M5 bolts ③.
3. Attach the Elbow pad ④ to the cradle.





Sirocco Mini Clip-on Installation Instructions

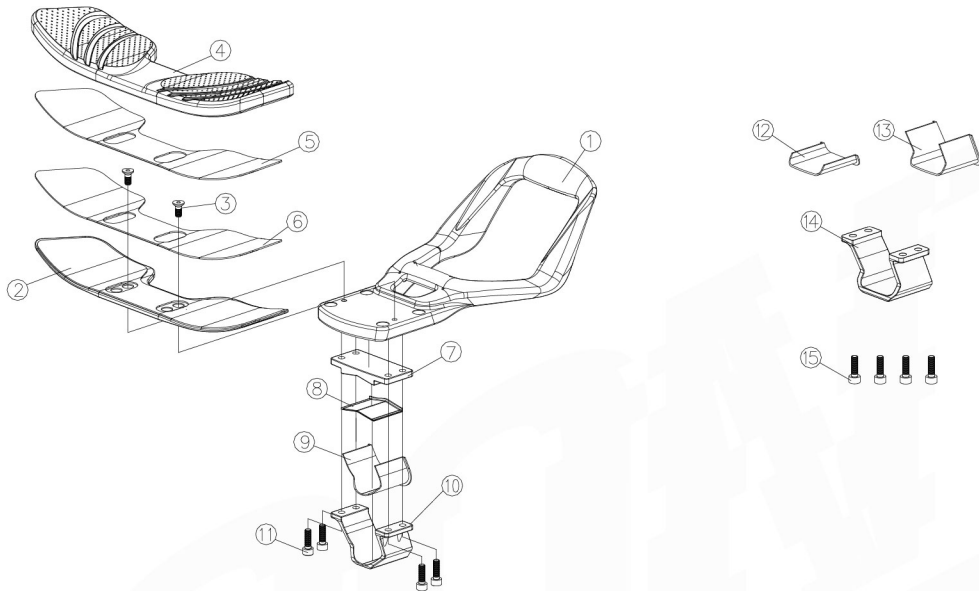


Thank you for choosing this Controltech. With proper care and installation, it will give you trouble-free, enjoyable use.

In order to maximize the safe enjoyment of this product, you should read and carefully follow the following installation instructions and warnings. Failure to do so could result in unexpected wear and/or failure, possibly resulting in injury.

Controltech warrants this product to be free from defects in materials and workmanship for a period of two years from the date of purchase when purchased from an authorized Controltech dealer. This warranty is extended only to the original owner of the product and is not transferable. Proof of purchase is required for any warranty service, so be sure to keep your receipt.

This warranty does not cover cosmetic or structural damage arising from misuse or abuse, including damage caused by crashes, jumping and landing, front end impact, falls or any other collision, owner neglect of regular maintenance, improper installation of parts and accessories. Controltech makes no warranty if modifications, changes, additions or substitutions are made to any components. Wear from normal use or exposure to environmental elements is not covered by this warranty. Controltech makes no warranty against any incidental or consequential damage to bike or parts, or rider injury caused by defects as covered in this warranty.



Model name / Model no.

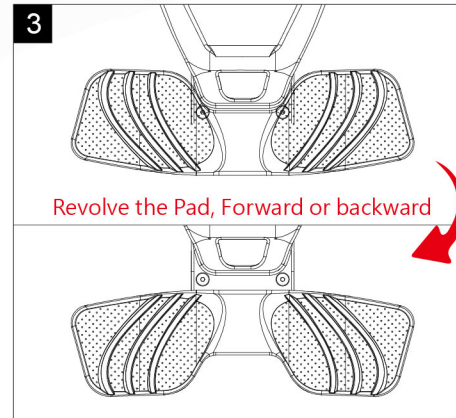
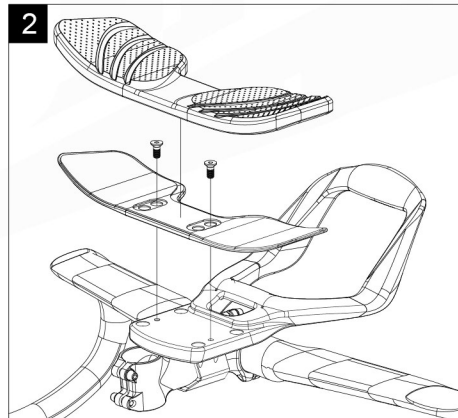
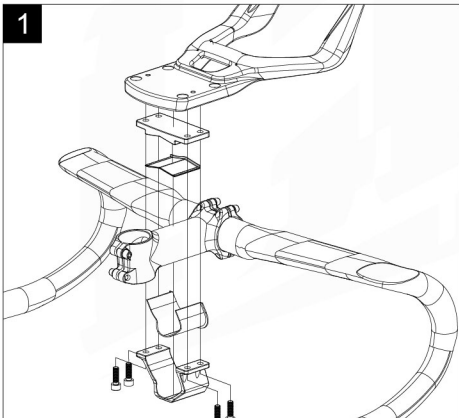
Sirocco Mini Clip-on / TTH-19 (Round sclamp)

Part

- ① Mini Clip on x1 ◦
- ② Elbow pad cradle x2 ◦
- ③ M5 bolt for pad cradle(12mm) x2 ◦
- ④ Elbow pad x2
- ⑤ Velcro(Soft) x1 ◦
- ⑥ Velcro(Prick) x1 ◦
- ⑦ Upper clamp x1 ◦
- ⑧ Clamp pad Upper x1 ◦
- ⑨ Round clamp pad Lower x1 ◦
- ⑩ Round Lower clamp x1 ◦
- ⑪ M5 bolt for round clamp(16mm) x4 ◦

Accessories(Optional)

- ⑫ Square clamp pad Short x1 ◦
- ⑬ Square clamp pad Tall x1 ◦
- ⑭ Lower Square clamp x1 ◦
- ⑮ M5 bolt for square clamp(18mm) x4 ◦



Installation

1. Ensure the stem body is round type.
2. Assemble Mini clip-on ① with upper clamp ⑦, clamp pad upper ⑧, Round clamp pad lower ⑨, and Round lower clamp ⑩ in sequence and tighten 4 M5 bolts ⑪ (Max torque: 5Nm).
3. Assemble Elbow pad cradle ② on the ① Mini clip-on by tightening 2 M5 bolts ③.
4. Attach the Elbow pad ④ to the cradle.





Sirocco Mini Clip-on Installation Instructions



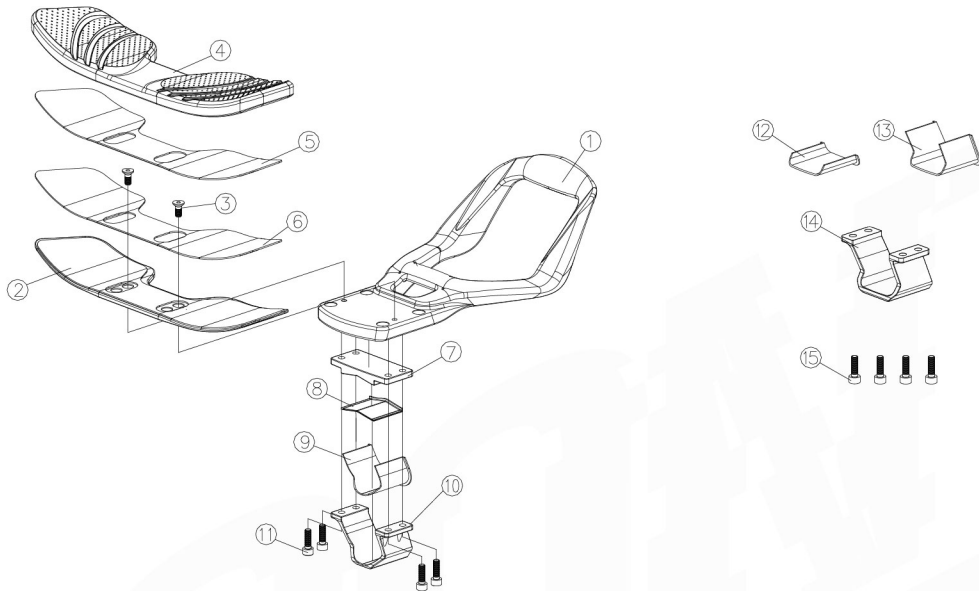
說明

感謝購買Controltech產品。請詳讀此安裝說明書並遵循正確使用方式，若沒有遵從說明書警告事項而導致產品損壞則不再保固範圍內。

保固

從購買日起Controltech提供兩年產品保固。消費者請保留產品保證書或相關的購買證明(如發票或收據)。產品在保固期內有需要維修服務時，煩請提出保證書或相關購買證明。

Controltech保固不包括錯誤或惡意之損壞，也不包含跳躍摔倒降落衝擊或其他的碰撞，以及忽視定期保養和錯誤零件組裝。另外，私自改裝、增加或替換產品上的零件，是不包含在保固內。自然的損壞也不包含在保固範圍內。



產品名稱 / 型號

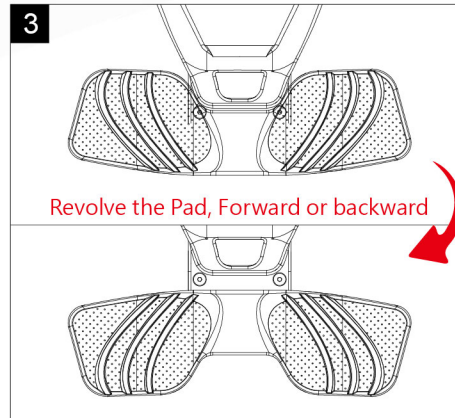
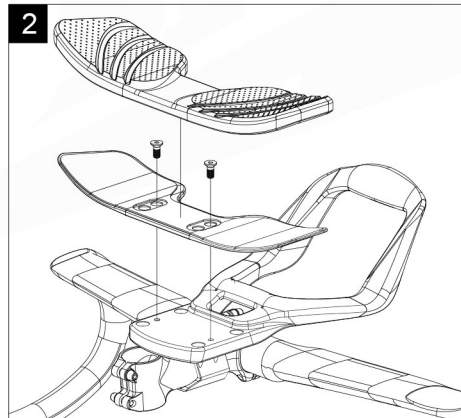
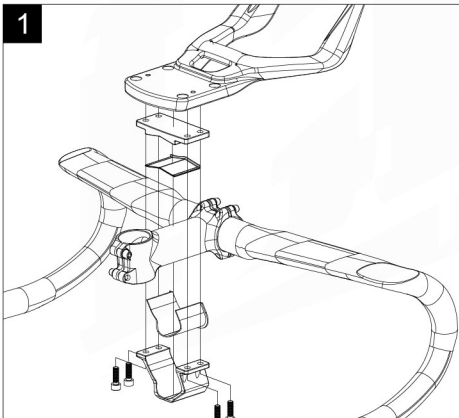
Sirocco Mini Clip-on / TTH-19 (Round sclamp)

零件名稱

- ① 手把主體x1。
- ② 手肘墊x1。
- ③ M5螺絲靠墊用(12mm)x2。
- ④ 手肘軟墊x1。
- ⑤ 魔鬼沾(母)。
- ⑥ 魔鬼沾(公)。
- ⑦ 上束壓片x1。
- ⑧ 上壓片橡膠墊x1。
- ⑨ 圓形橡膠墊x1。
- ⑩ 圓形下束環x1。
- ⑪ M5螺絲圓形束環用(16mm)x4。

配件

- ⑫ 方形短橡膠墊x1
- ⑬ 方形長橡膠墊x1。
- ⑭ 方形下束環x1。
- ⑮ M5螺絲圓形束環用(18mm)x4。



安裝說明

1. 請先確認欲組裝的立管是否為圓形。
2. 依序將①⑦⑧⑨⑩組裝於圓形立管上，再把⑪四顆螺絲鎖固上(鎖固最大扭力值5Nm)。
3. 使用③M5螺絲將②手肘靠墊固定在①手把上。
4. 最後將④手肘軟墊黏上②靠墊即可。





Sirocco Mini Clip-on Installation Instructions

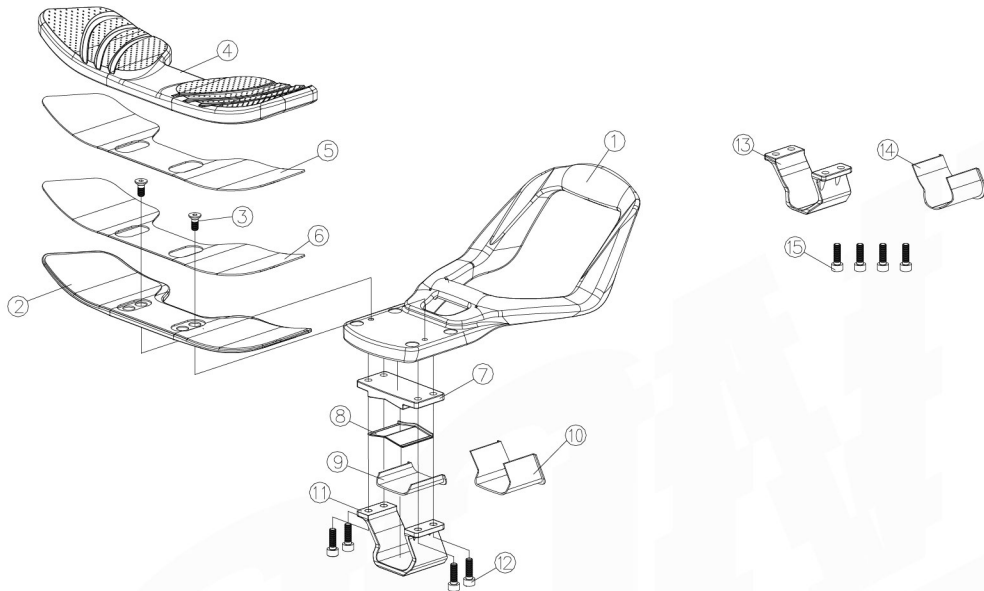


Thank you for choosing this Controltech. With proper care and installation, it will give you trouble-free, enjoyable use.

In order to maximize the safe enjoyment of this product, you should read and carefully follow the following installation instructions and warnings. Failure to do so could result in unexpected wear and/or failure, possibly resulting in injury.

Controltech warrants this product to be free from defects in materials and workmanship for a period of two years from the date of purchase when purchased from an authorized Controltech dealer. This warranty is extended only to the original owner of the product and is not transferable. Proof of purchase is required for any warranty service, so be sure to keep your receipt.

This warranty does not cover cosmetic or structural damage arising from misuse or abuse, including damage caused by crashes, jumping and landing, front end impact, falls or any other collision, owner neglect of regular maintenance, improper installation of parts and accessories. Controltech makes no warranty if modifications, changes, additions or substitutions are made to any components. Wear from normal use or exposure to environmental elements is not covered by this warranty. Controltech makes no warranty against any incidental or consequential damage to bike or parts, or rider injury caused by defects as covered in this warranty.



Model name / Model no.

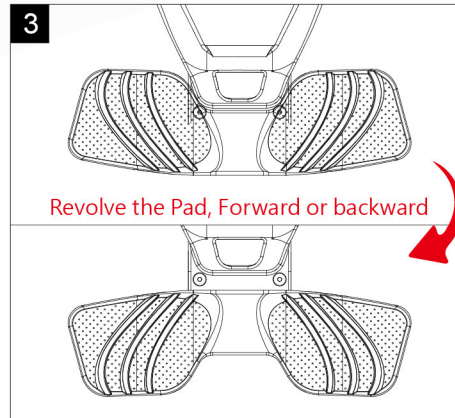
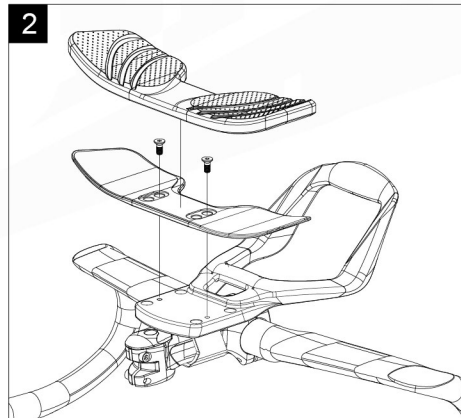
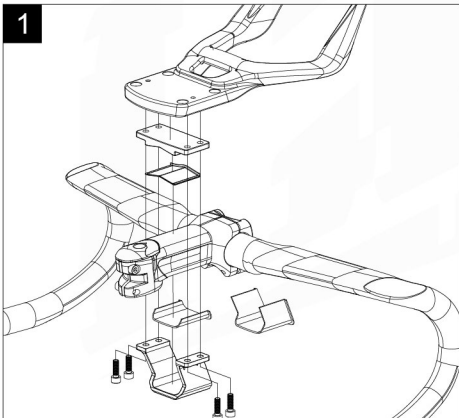
Sirocco Mini Clip-on / TTH-19 (Square clamp)

Part

- ① Mini Clip on x1 ◦
- ② Elbow pad cradle x2 ◦
- ③ M5 bolt for pad cradle(12mm) x2 ◦
- ④ Elbow pad x2
- ⑤ Velcro(Soft) x1 ◦
- ⑥ Velcro(Prick) x1 ◦
- ⑦ Upper clamp x1 ◦
- ⑧ Clamp pad Upper x1 ◦
- ⑨ Square clamp pad Short x1 ◦
- ⑩ Square clamp pad Tall x1 ◦
- ⑪ Lower Square clamp x1 ◦
- ⑫ M5 bolt for square clamp(18mm) x4 ◦

Accessories (Optional)

- ⑬ Round Lower clamp x1 ◦
- ⑭ Round clamp pad Lower x1 ◦
- ⑮ M5 bolt for round clamp(16mm) x4 ◦



Installation

1. Ensure the stem body is square type.
2. Assemble Mini clip-on ① with upper clamp ⑦, clamp pad upper ⑧, Square clamp pad Short ⑨ (Width of stem body less 36mm), or Square clamp pad Tall ⑩ (width of stem body more than 36mm) and Lower square clamp ⑪ in sequence and tighten 4 M5 bolts ⑫ (Max torque: 5Nm).

⑨	Stem width less 36mm use	
⑩	Stem width greater 36mm use	

3. Assemble Elbow pad cradle ② on the Mini clip-on by tightening 2 M5 bolts ③.
4. Attach the Elbow pad ④ to the cradle.





Sirocco Mini Clip-on Installation Instructions



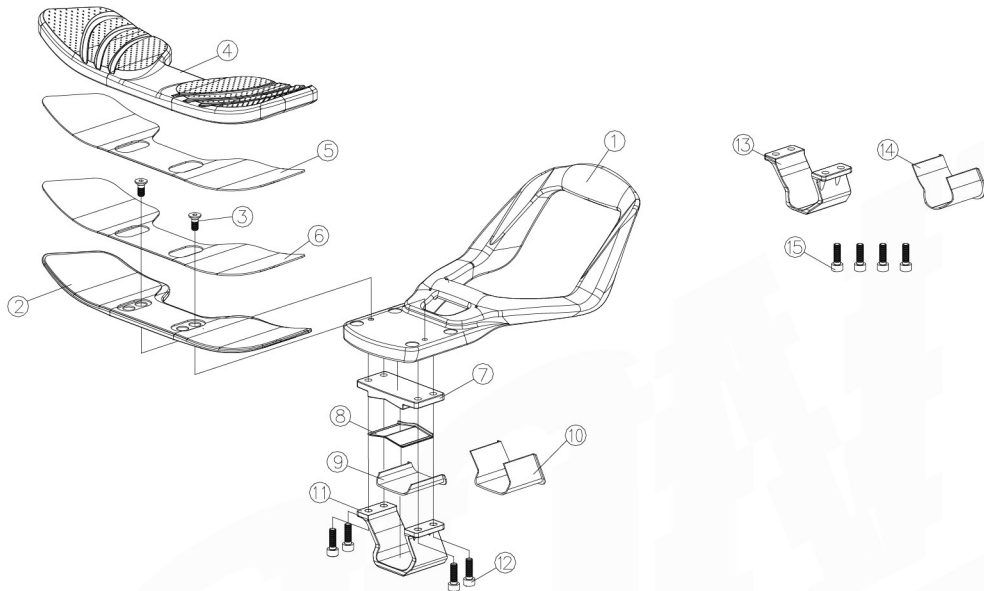
說明

感謝購買Controltech產品。請詳讀此安裝說明書並遵循正確使用方式，若沒有遵從說明書警告事項而導致產品損壞則不再保固範圍內。

保固

從購買日起Controltech提供兩年產品保固。消費者請保留產品保證書或相關的購買證明(如發票或收據)。產品在保固期內有需要維修服務時，煩請提出保證書或相關購買證明。

Controltech保固不包括錯誤或惡意之損壞，也不包含跳躍摔倒降落衝擊或其他碰撞，以及忽視定期保養和錯誤零件組裝。另外，私自改裝、增加或替換產品上的零件，是不包含在保固內。自然的損壞也不包含在保固範圍內。



產品名稱 / 型號

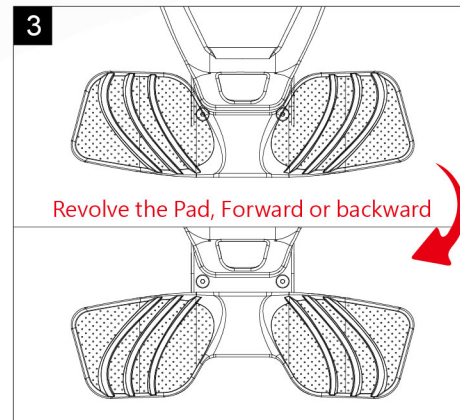
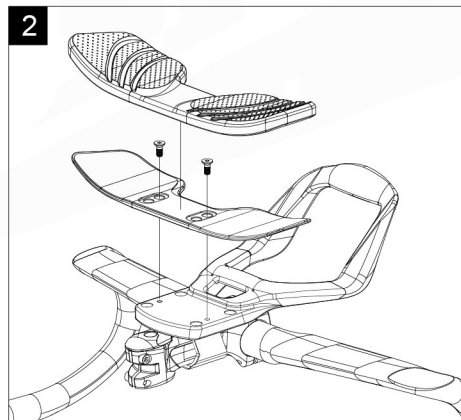
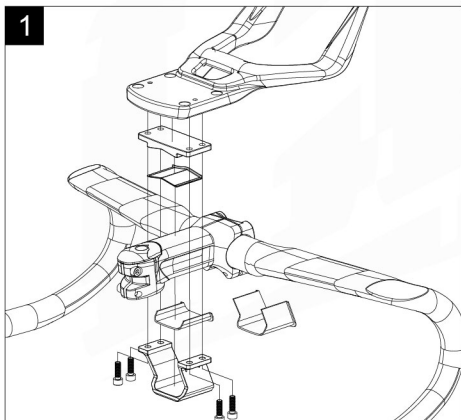
Sirocco Mini Clip-on / TTH-19 (Square clamp)

零件名稱

- ① 手把主體x1。
- ② 手肘墊x1。
- ③ M5螺絲靠墊用(12mm)x2。
- ④ 手肘軟墊x1。
- ⑤ 魔鬼氈(母)。
- ⑥ 魔鬼氈(公)。
- ⑦ 上束壓片x1。
- ⑧ 上壓片橡膠墊x1。
- ⑨ 方形短橡膠墊x1。
- ⑩ 方形長橡膠墊x1。
- ⑪ 方形下束環。
- ⑫ M5螺絲方形束環用(18mm)x4。

配件

- ⑬ 圓形下束環x1。
- ⑭ 圓形橡膠墊x1。
- ⑮ M5螺絲圓形束環用(16mm)x4。



安裝說明

1. 請先確認欲組裝的立管是否為方形。
2. 依序將①⑦⑧⑨或⑩和⑪組裝於方形立管上，再把⑫四顆螺絲鎖固上(鎖固最大扭力值5Nm)。
- ⑨與⑩的橡膠墊片選用請參考下表:

		Width
⑨		立管寬度36mm(以下)使用
⑩		立管寬度36mm(以上)使用

3. 使用③M5螺絲將手肘靠墊固定在把手上。
4. 將手肘軟墊黏上靠墊即可。

